

KMT 5V

KMT

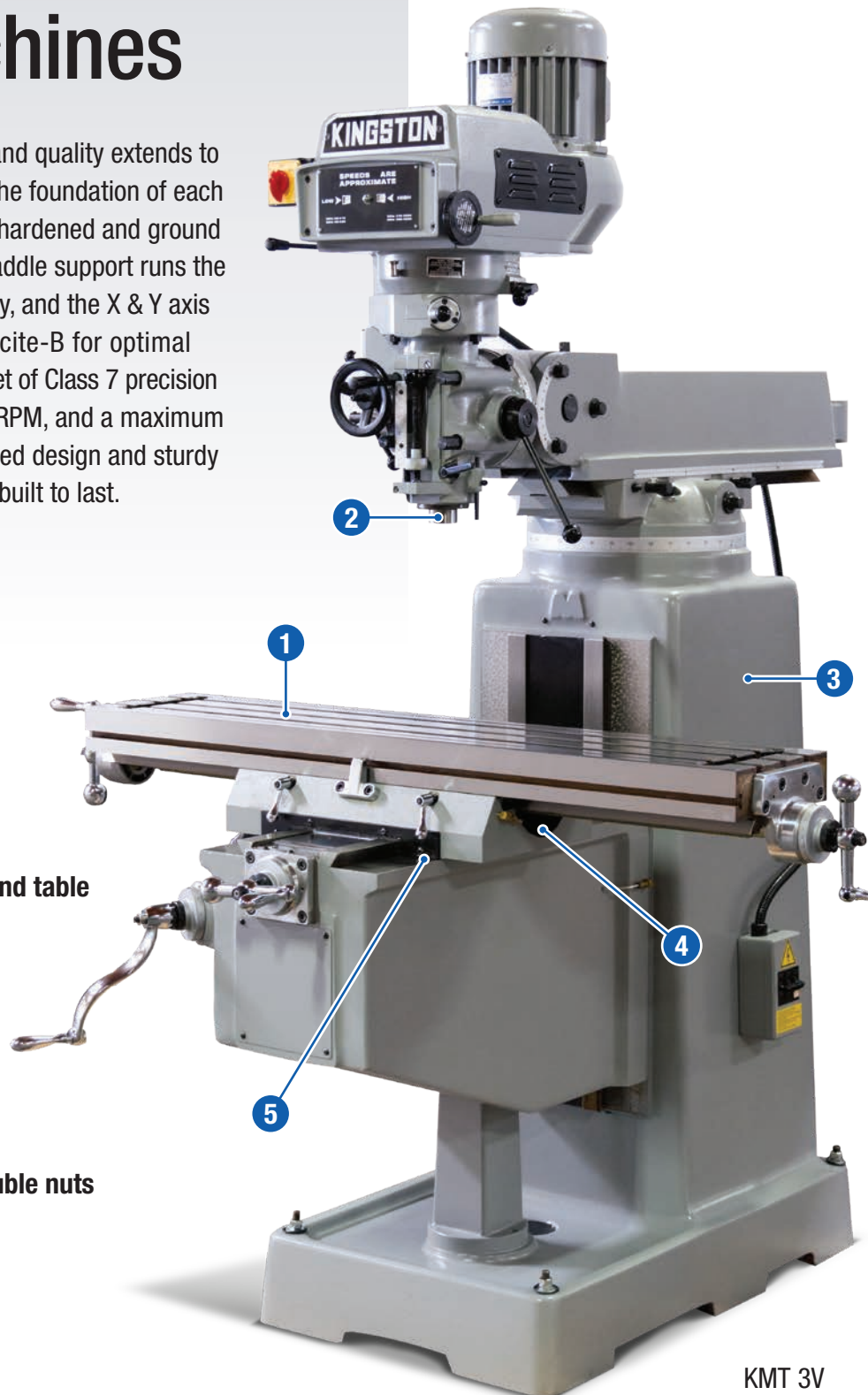
Milling Machines

KINGSTON

KMT

Milling Machines

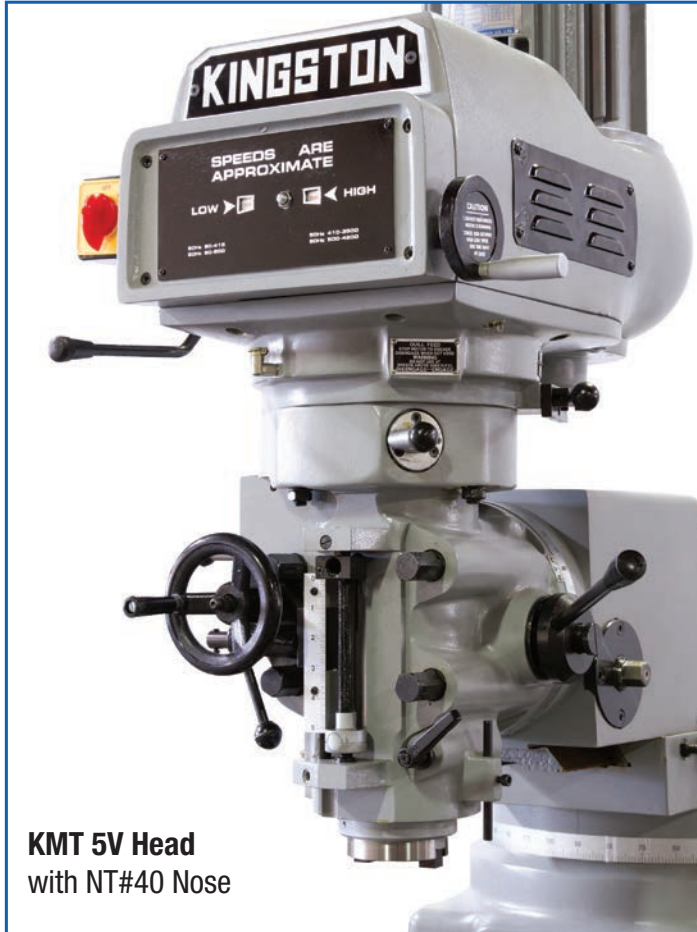
Kingston's commitment to precision and quality extends to our KMT series milling machines. At the foundation of each mill is a Meehanite casted body with hardened and ground knee and table ways. A heavy-duty saddle support runs the full width of the table for extra stability, and the X & Y axis sliding surfaces are coated with Turcite-B for optimal performance. The spindle features a set of Class 7 precision bearings, spindle speeds up to 4200 RPM, and a maximum runout within .0002". Kingston's rugged design and sturdy head housing ensure this machine is built to last.



Machine Highlights

- 1 10" x 50" hardened and ground table
- 2 Class 7 precision bearing
- 3 Meehanite casting
- 4 Adjustable anti-backlash double nuts for X & Y axis
- 5 Turcite B on X & Y Axis

KMT 3V



KMT 5V Head
with NT#40 Nose

Standard Features

- KMT 5V: 5HP Motor, NT#40
- KMT 3V/4V: 3 HP Motor, R8 Nose
- Boxways on Both Y & Z Axis on KMT 4V/5V
- Dovetail Ways on KMT 3V
- Meehanite Casting
- Turcite-B on X & Y Axis
- Dual Locks on Knee, Table, Saddle, & Ram
- Max Spindle Runout .0002

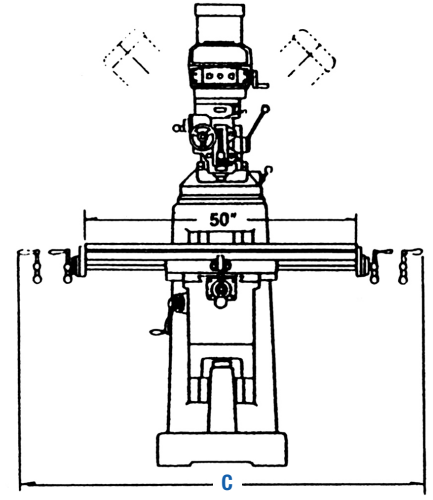
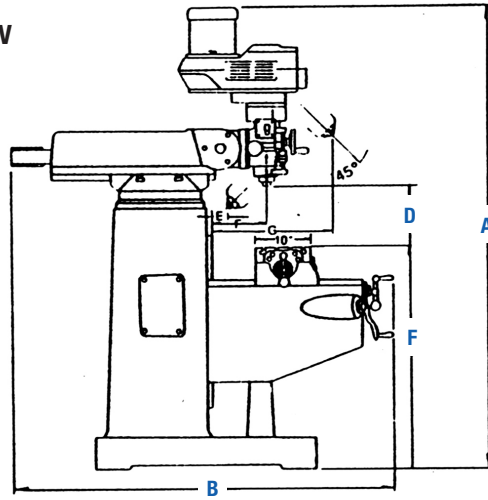
Optional Accessories

- Powerfeed
- Digital Read Out
- Power Drawbar
- Coolant System

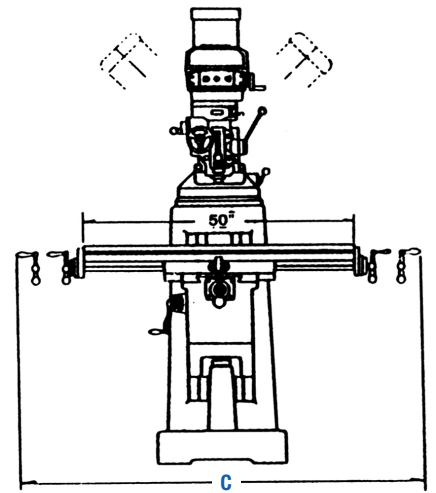
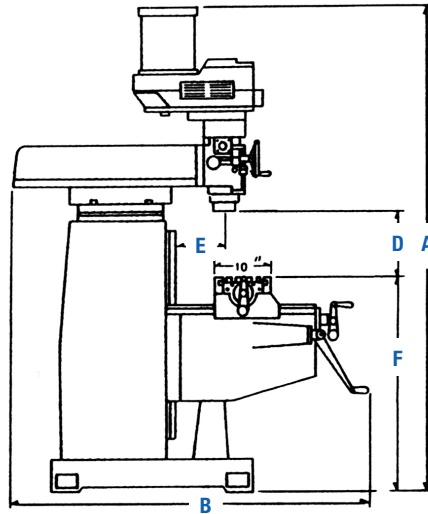


Boxways on KMT 4V / 5V

KMT 3V/4V



KMT 5V



Capacity	KMT 3V	KMT 4V	KMT 5V
Table		10" x 50"	
Travel (X x Y)	36" x 16.0"	36" x 17.5"	36" x 17.5"
Travel (Z) Quill		5.0"	
Travel (Z) Knee	16.0"	17.5"	17.5"
Spindle Motor	3 HP	3 HP	5 HP
Spindle Taper	R8	R8	NT#40
Spindle Variable Speed		60 – 4200 RPM	
Power Feed Rate (3 Speeds)		0.0015"/Rev, 0.003"/Rev, 0.006/Rev	
Quill Diameter		3.38"	

Dimensions			
Overall Height A	84.6"	90.2"	88.2"
Overall Length B	64.6"	64.6"	59.4"
Overall Width C	67.7"	67.7"	67.7"
Min-Max Distance D	2.0" – 18.0"	2.0" – 18.0"	2.8" – 20.5"
Min-Max Distance E	0" – 20.0"	0" – 20.0"	5.9" – 24.8"
Min-Max Distance F	35 – 51"	36.5 – 54.5"	36.5 – 54.5"

Weight	2,750 lbs	3,300 lbs	3,630 lbs
--------	-----------	-----------	-----------



Kingston Machine Tool

5421 Business Dr,
 Huntington Beach, CA 92649
 (714) 894-1648 | Fax (714) 897-2616
 kingstonmachine.com

